



Your Water. Perfected.

Let us
Perfect
your water and
Maximize
your peace of mind.

EEC1502

ECOWATER 1500 SERIES – ECONOMICAL WATER CONDITIONERS



EEC1502 with
OPTIONAL Shroud Kit,

EEC1502 without
OPTIONAL Shroud Kit,

Economic Choice for Water Treatment

Patented Electronic Digital Demand Module

Solid-state electronics record usage patterns and control regeneration frequency based on predicted needs.

Time Keeper

Permanent program memory with capacitor-backed time retention. Maintains time for at least 6 hours in case of power loss.

Multi-Wrap Fiberglass Reinforced Resin Tank

Durable fiberglass-wrapped tank liner, doesn't deteriorate, rust or corrode.

Self-Cleaning Distributors

Distributors exhibit excellent flow rates and are cleaned automatically by counter-current water pressure.

Positive-Action Brine Valve

Snap-together construction eliminates use of solvents that may contaminate water. Positive action helps prevent overfilling.

Automatic Bypass During Regeneration Means Continuous Water Usage

Energy Efficient Power Supply

Simplifies installation, maintenance and reduces electrical hazards.

Hardness Reduction, and Low Lead Content

This softener has been tested and certified by NSF International against NSF/ANSI Standard 44 for hardness reduction and efficiency and NSF/ANSI 372 for low lead content.

Optional Conditioner Shroud Kit

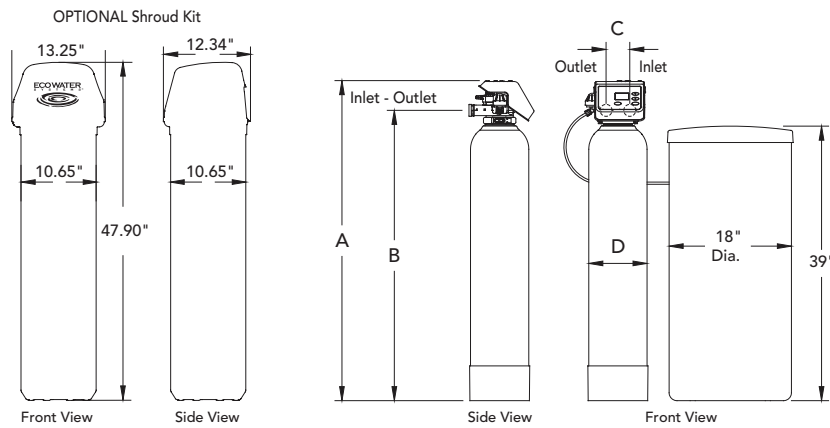
The EEC 1502 series conditioners are available with or without an optional shroud kit to cover the resin tank and controller assembly for appearance or weather protection. Images on the right shows product with and without shroud kit option.



EEC1502

ECOWATER 1500 SERIES ECONOMICAL WATER CONDITIONERS

DIMENSIONS



	EEC1502 R25	EEC1502 R40
Nominal Resin Tank Size	8" Dia. x 40"	9" Dia. x 40"
A	45 ¹ / ₂ "	47"
B	41 ³ / ₈ "	41 ³ / ₄ "
C	3 ³ / ₈ "	3 ³ / ₄ "
D	8 ¹ / ₄ " Dia.	9 ¹ / ₄ " Dia.

SPECIFICATIONS

	EEC1502R25	EEC1502R40
Efficiency (gr./lb. @ min. lb. salt dose)	5,000 @ 2.1	5,100 @ 2.3
Hardness Capacity (gr. @ max. lb. salt dose)	26,600 @ 11.2	39,000 @ 14.7
Service Flow Rate (gpm @ psi)	6 @ 10.4	9.9 @ 14.0
Intermittent Flow Rate (gpm @ psi) ¹	7.5 @ 15	10.2 @ 15
Amount of High Capacity Resin (lbs.)	36	56
Maximum Water Hardness (grains per gallon)	70	110
Maximum Clear Water Iron (ppm-Fe) ²	4	5
Approximate Water Used Each Regeneration (gal.) ³	32	38
Salt Storage Capacity (lbs.)	200	200
Supply Water Pressure Limits (psi) ⁴	20-125	20-125
Supply Water Temperature Limits (°F / °C)	40-120 / 4-49	40-120 / 4-49
Ambient Temperature Range (°F / °C)	35-150 / 2-66	35-150 / 2-66
Plumbing Connection Provided (inches)	1	1

Electrical Requirement, 120V, 50/60Hz (28V DC, 350 mA, power supply included)

¹Intermittent flow rate does not represent the maximum service flow rate used for determining the conditioner's rated capacity and efficiency. Continuous operation at flow rates greater than the certified flow rate may affect capacity and efficiency performance. The validity of these flow rates is verified by NSF.

²Increased amounts of clear water iron can reduce conditioners efficiency. Refer to owner's manual for details. Wisconsin requires additional treatment if water supply contains greater than 5 ppm clear water iron.

³When operated at 35 psi water pressure.

⁴Maximum pressure for Canadian use is 1.4 - 7.0 Kg/cm²



Your Water. Perfected.



EcoWater Systems LLC
P.O. Box 64420
St. Paul, MN 55164-0420



EcoWater Canada Ltd.
5240 Bradco Blvd.
Mississauga, Ontario
Canada L4W 1G7



EcoWater Systems Europe N.V.
Geelseweg 56 2250 Olen
Belgium



Kunshan EcoWater Systems Co. Ltd.
483 San Xiang Rd.
Kunshan, Jiangsu Province, PRC 215335